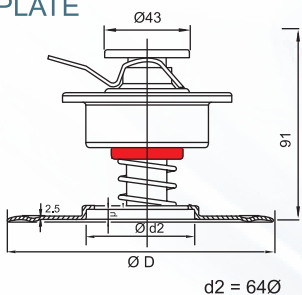


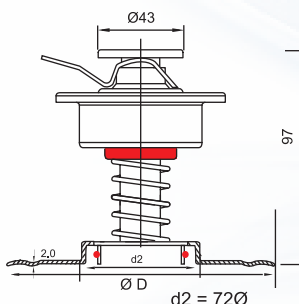
SEC-033 GRAVITY LOCK WITH SPRING & BOTTOM PLATE



Gravity Lock with spring with inside gasket and bottom plate having 2.5mm thickness. Suitable for plastic tubes. Shaft /inner sealing for an optimal seal between the cap and the spindle bolt, (Suitable for plastic dye tube having sizes - 63 OD x 57 ID / 62 OD x 54 ID)

Available also: without lever arm for opening for automatic loading and unloading. Spring pressure at half spring travel
 Spring : 2.65 mm - ~180 N Standard
 3.0 mm - ~250 N

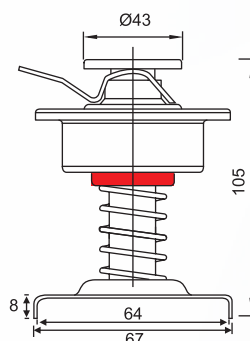
SEC-034 GRAVITY LOCK WITH SPRING & DEEP GROOVE BOTTOM PLATE



Gravity Lock with spring with inside gasket and deep groove bottom plate having 2.5mm thickness with inside silicone ring to fit in plastic tubes. Shaft/inner sealing for an optimal seal between the cap and the spindle bolt. (Suitable for plastic dye tube having sizes - 63 OD x 57 ID) Lock bottom inside ring size 57 OD x 46 ID x 12 mm height. Available also: without lever arm for opening for automatic loading and unloading. Spring pressure at half spring travel

Spring : 2.65 mm - ~180 N Standard
 3.0 mm - ~250 N

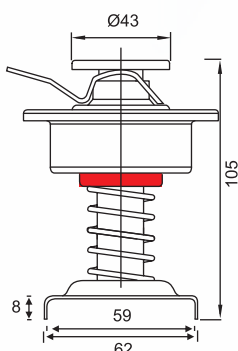
SEC-035 GRAVITY LOCK WITH SPRING & BIG CUP BOTTOM



Gravity Lock with spring with big cup bottom to be used directly on plastic tubes without top plates. Shaft /inner sealing for an optimal seal between the cap and the spindle bolt, (Suitable for plastic dye tube having sizes - 63 OD x 57 ID / 62 OD x 54 ID)

Available also: without lever arm for opening for automatic loading and unloading. Spring pressure at half spring travel
 Spring : 2.65 mm - ~180 N Standard
 3.0 mm - ~250 N

SEC-036 GRAVITY LOCK WITH SPRING & SMALL CUP BOTTOM

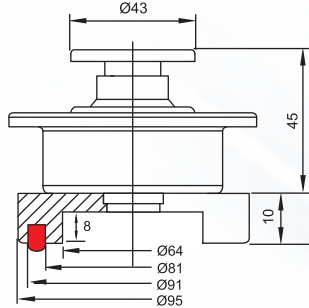


Gravity Lock with spring with small cup bottom to be used directly on plastic tubes without top plates. Shaft /inner sealing for an optimal seal between the cap and the spindle bolt, (Suitable for plastic dye tube having sizes - 58 OD x 53 ID)

Available also: without lever arm for opening for automatic loading and unloading. Spring pressure at half spring travel
 Spring : 2.65 mm - ~180 N Standard
 3.0 mm - ~250 N

SEC-037

GRAVITY LOCK WITH BOSCH WITH GROOVE

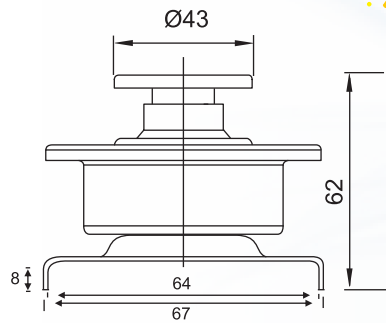


Gravity Lock with bosch and inside groove to fit in plastic tubes. Gravity locks with automatic resetting for threaded bolts M16 or 5/8" BSW. Mainly used for pressed packages. For columns of packages which tend to sink the caps reset under their own weight and automatically re-lock, to eliminate leakages between cap and head plate. (Suitable for plastic dye tube having sizes - 63 OD x 57 ID / 62 OD x 54 ID)

Available also: With lever arm for opening for automatic loading and unloading.

SEC-038

GRAVITY LOCK WITH BIG CUP BOTTOM

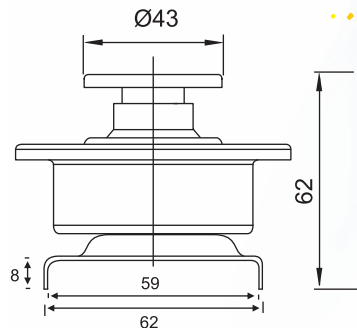


Gravity lock with big cup bottom to fit in plastic dye tube without top plate with automatic resetting for threaded bolt M16 or 5/8" BSW (Suitable for plastic dye tube having sizes - 63 OD x 57 ID / 62 OD x 54 ID)

Available also: With lever arm for opening for automatic loading and unloading.

SEC-039

GRAVITY LOCK WITH SMALL CUP BOTTOM



Gravity lock with small cup bottom to fit in plastic dye tube without top plate with automatic resetting for threaded bolt M16 or 5/8" BSW (Suitable for plastic dye tube having sizes - 58 OD x 53 ID)

Available also: With lever arm for opening for automatic loading and unloading.



Sheeba Engineering Co.

Plot No. 1515, Phase III, G.I.D.C., Vatva, Ahmedabad - 382 445. Gujarat, INDIA

Phone : + 91 - 79 - 25833744

Mobile : + 91 - 98252 75825, +91-93270 00253

Fax : + 91 - 79 - 25894923

E-mail : sheebafab@vsnl.net, sales@sheebaeng.com

website : <http://www.sheebaeng.com>